

## Y12 Applied Technology Worksheet # 5

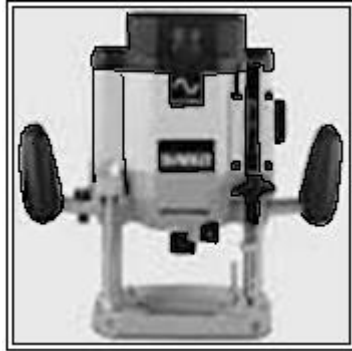
**Instruction:** Please do attempt this at the back of your exercise book.

### QUESTION 5

### Machine and Engine

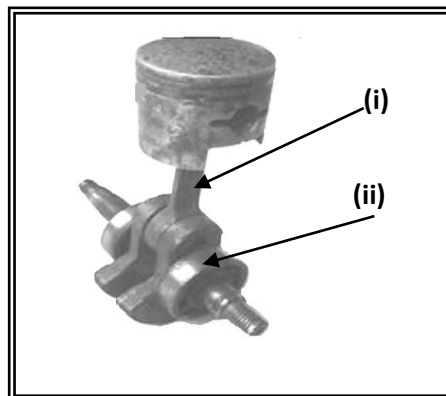
**(10 marks)**

- (a) State the correct name of the given power tool shown in the diagram below. **(1 mark)**



Source: *Year 11 Applied Technology*, Ministry of Education, 2016.

- (b) Why do machine operators use goggles in drilling work? **(2 marks)**
- (c) Sketch how a portable electric saw is ripping a piece of timber. **(3 marks)**
- (d) Describe the difference between Top Dead Centre (TDC) and Bottom Dead Centre (BDC). **(2 marks)**
- (e) Name the engine parts labeled **(i)** and **(ii)** in the diagram below.



**(2 marks)**

Source: *Year 12 Applied Technology*, Ministry of Education, 2017.

